



FITTING INSTRUCTIONS

Part Number: **4438100/4438110/4438120**
Product **4438100 – SUMMIT STEP SECTION NP300 NAVARA | 15ON REQ-**
Description: **4438100/120**
4438110 – SUMMIT F/RAIL NP300 NAVARA | 15ON SUITS 4438100
4438120 – SUMMIT RETURN NP300 NAVARA | 15ON SUITS 4438100

Suited to **NISSAN NAVARA NP300 DUAL CAB 2015 ONWARDS**
vehicle/s:

WARNING

REGARDING VEHICLES EQUIPPED WITH SIDE AIR CURTAINS & SIDE AIRBAGS:

When installed in accordance with these instructions, the Side Step and Side Rail does not affect operation of the Side Air Curtains and Side Airbags.

ALSO, NOTE THE FOLLOWING:

- ◆ This product must be installed exactly as per these instructions using only the hardware supplied.
- ◆ In the event of damage to any Side Step and Side Rail component, contact your nearest authorised ARB stockist. Repairs or modifications to the impact absorption system must not be attempted.
- ◆ Do not use this product for any vehicle make or model, other than those specified by ARB.
- ◆ This product or its fixing must not be modified in any way.
- ◆ The installation of this product may require the use of specialized tools and/or techniques
- ◆ It is recommended that this product is only installed by trained personnel
- ◆ These instructions are correct as at the publication date. ARB Corporation Ltd. cannot be held responsible for the impact of any changes subsequently made by the vehicle manufacturer
- ◆ During installation, it is the duty of the installer to check correct operation/clearances of all components
- ◆ Work safely at all times
- ◆ Unless otherwise instructed, tighten fasteners to specified torque

ARB 4x4 ACCESSORIES

Corporate Head Office

42-44 Garden St
Kilsyth, Victoria.
AUSTRALIA. 3137.

Tel: +61 (3) 9761 6622
Fax: +61 (3) 9761 6807

Australian enquiries
North & South American enquiries
Other international enquiries

sales@arb.com.au
sales@arb.com.au
exports@arb.com.au

www.arb.com.au

GENERAL CARE AND MAINTENANCE

By choosing an ARB Side Step and Side Rail, you have bought a product that is one of the most sought after 4WD products in the world. Your step and rail is a properly engineered, reliable, quality accessory that represents excellent value. To keep your step and rail in original condition it is important to care and maintain it following these recommendations:

- Prior to exposure to the weather your step and rail should be treated to a Carnauba based polish on all exposed surfaces. It is recommended that this is performed on a six monthly basis or following exposure to salt, mud, sand or other contaminants.



As part of any Pre Trip Preparation, or on an annual basis, it is recommended that a thorough visual inspection of the step and rail and surrounding components is carried out, making sure that all bolts are torqued to the correct specification. Also check that nearby wiring and plumbing are free of damage. Replace any components as necessary. This service can be performed by your local authorized ARB Stockist.

FITTING REQUIREMENTS

REQUIRED TOOLS FOR FITMENT OF PRODUCT:

Basic tool kit	Silicon
Masking tape	Power drill – (Ø13mm Capacity)
Axle stands (optional)	Ø4, Ø10 (or Ø11) & Ø12mm Drill Bits
Torque Wrench/Wrenches - (5Nm TO 100Nm)	Metric Stepped Drill (with Ø24mm Step)
Scissors or Stanley Knife	Centre Punch
Rust Preventing Paint - Black	½” Drive Allen Key Set - (8mm Allen Key Bit).

HAVE AVAILABLE THESE SAFETY ITEMS WHEN FITTING PRODUCT:

Protective eyewear		Hearing protection	
--------------------	---	--------------------	---

NOTE: ‘WARNING’ notes in the fitting procedure relate to OHS situations, where to avoid a potentially hazardous situation it is suggested that protective safety gear be worn or a safe work procedure be employed. If these notes and warnings are not heeded, injury may result.

FASTENER TORQUE SETTINGS:

SIZE	Torque Nm	Torque lb/ft
M6	9Nm	7lbft
M8	22Nm	16lbft
M10	44Nm	32lbft
M12	77Nm	57lbft

PARTS LISTING

APPLICATION.	PART NO.	QTY	DESCRIPTION
SIDE STEPS TO VEHICLE	6562679R	1	STEP SECTION D23 LRG TUBE RH
	6562679L	1	STEP SECTION D23 LRG TUBE LH
	4581007	6	WASHER FLAT ½" X 1 ½" X 4mm
	4581050	10	WASHER SPRING 1/2X3/16X1/8 ZP
	6500002	2	PLUG RUBBER 60.3 TUBE BLANKING PLUG
	6151360	6	BOLT M12 X 1.75 X 35 Gd 8.8 ZP
	3194330	2	CAGE PLATE D40 SIDE RAIL (400mm)
	6151305	2	NUT CAGED M12 3.3-4.7
	4581046	6	WASHER SPRING M8 x 3/32 X 3/32
	4581063	6	WASHER FLAT M8X25.4X3 TZP
	6151083	4	BOLT M8 X 1.25 X 35 FT CL8.8 TZP
	6151022	2	BOLT M8X1.25X25 HEX HD ZP GR8
	3194733	2	PLATE NUT ASSY LWR D23
	3194734	2	PLATE NUT ASSY UPPER D23
	6151638	4	BOLT HXHD M10 X 1.5 X 40 GR8.8 TZP480
	4581048	4	WASHER SPRING M10
	4581040	8	WASHER FLAT M10 X 25 X 3 ZP
	6151321	4	NUT FLANGE M10
	3194737	1	PLATE NUT ASSY FRONT LH D23
	5811064	4	SLEEVE MOUNT D23 REAR BRACKET
	6151250	4	BOLT M12 X 1.75 X 90 GR8.8 ZP
	3194742	2	PLATE CLAMP D23 REAR BRACKET
	3194376	4	WASHER M12 X 35MM X 10MM THICK
	180302	6	CABLE TIE 4.8 X 180MM BLACK
MANUAL TRANSMISSION VEHICLE FITMENT	6250015	1	SPACER ZEON INTERNAL HAWSE
	4581044	1	WASHER FLAT M8X17X1.6 ZP
	6151765	1	BOLT M8 x 1.25 x 65 Gd8.8 ZP
SIDE RAILS TO VEHICLE	3194730R	1	PLATE STEP D23 F/RAIL RH
	3194730L	1	PLATE STEP D23 F/RAIL LH
	4581044	8	WASHER FLAT M8X17X1.6 ZP
	4581072	16	WASHER FLAT M6 X 1.6 X 20 TZP
	6151032	4	NUT HEX LOCK NYLOC M8 X 1.25
	6151128	16	NUT FLANGE M6 X 1.0 ZP
	6151256	16	SCREW M6 X 1.6 MG304 BUTTON SH S/ST
	6151022	4	BOLT M8X1.25X25 HEX HD ZP GR8
	6562675R	1	F/RAIL D23 LRG TUBE RH
	6562675L	1	F/RAIL D23 LRG TUBE LH
	6250024	6	SPACER S/STEP / RETURN LG RAD
	3789336	1	TEMPLATE S/RAIL CLAMP LG RAD

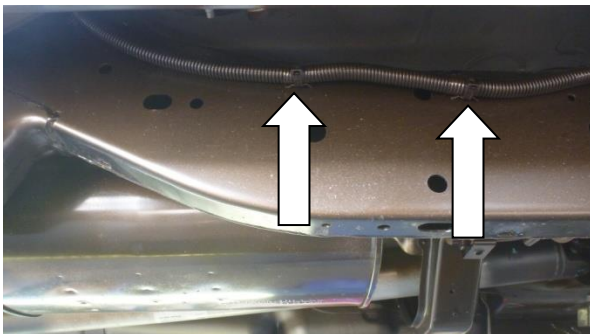
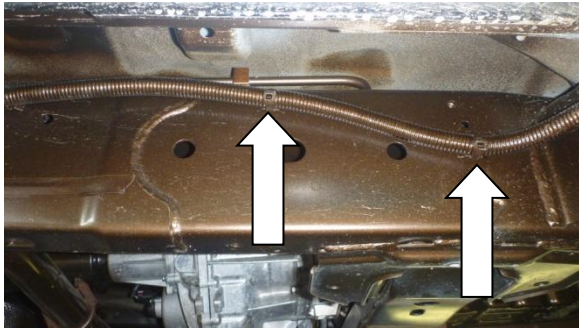
SIDE STEP RETURN SECTIONS TO VEHICLE	6500002	2	PLUG RUBBER 60.3 TUBE BLANKING PLUG
	3194729R	1	PLATE STEP D23 RETURN RH
	3194729L	1	PLATE STEP D23 RETURN LH
	4581072	16	WASHER FLAT M6 X 1.6 X 20 TZP
	6151128	16	NUT FLANGE M6 X 1.0 ZP
	6151256	16	SCREW M6 X 1.6 MG304 BUTTON SH S/ST
	6151032	4	NUT HEX LOCK NYLOC M8 X 1.25
	4581044	8	WASHER FLAT M8X17X1.6 ZP
	6562676R	1	RETURN D23 LRG TUBE RH
	6562676L	1	RETURN D23 LRG TUBE LH
	6151022	4	BOLT M8X1.25PX25 HEX HD ZP GR8
	6250024	6	SPACER S/STEP / RETURN LG RAD

FITTING PROCEDURE – PREPARATION TO VEHICLE



1. If fitted, remove the factory side steps.

SIDE STEP FITMENT TO VEHICLE



2. On RH side chassis rail, carefully use a screwdriver and/or pointy nose pliers to unclip wiring harness clips indicated from the chassis rail to allow wiring harness to be moved freely out of the way and prevent damage during side step installation.

Note: Wiring Harness should be above Side Step Supports and Brackets during Step installation. Care must be taken to ensure no damage or crushing occurs to the wiring harness.

SIDE STEP FITMENT TO VEHICLE – (Continued)

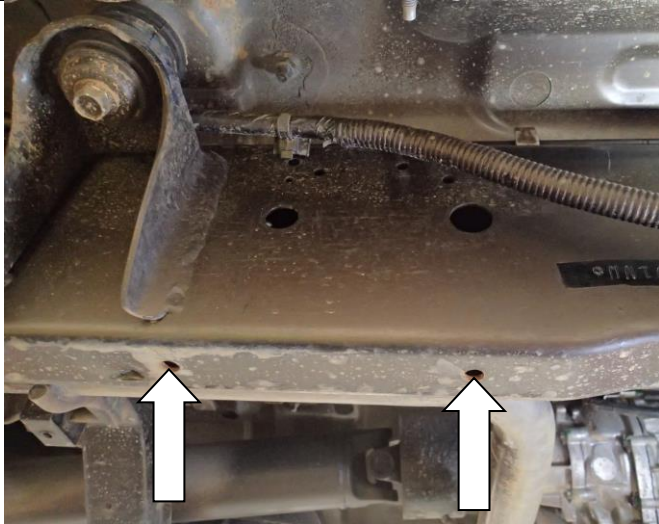


Manual Vehicles only - (Steps 3, 4 & 5).

3. Locate the Clutch Bleeder Fitting on the outside of the front RH chassis rail, (as pictured).
4. Remove and discard the OE M8 bolt and spacer.
5. Carefully unclip the Clutch Bleeder Line from the top of the chassis rail and carefully bend the clutch bleeder fitting away from the chassis rail.

Note: The Clutch Bleeder Fitting will be re-fastened in the same location but will be spaced out from the chassis

Note: The next steps are to prepare the nut plates and the mounting holes so that correct alignment can be achieved between the nut plates and the mounting holes.



6. Locate the holes for the lower centre bracket mounting as indicated.
7. Drill both holes out to 10mm – 11mm diameter.

Note: De-burr holes and remove all swarf after drilling.

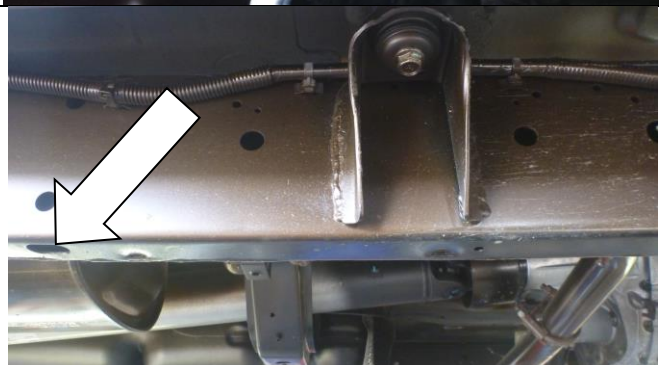


Warning: Drilling operations can result in flying metal debris, safety glasses should be worn.



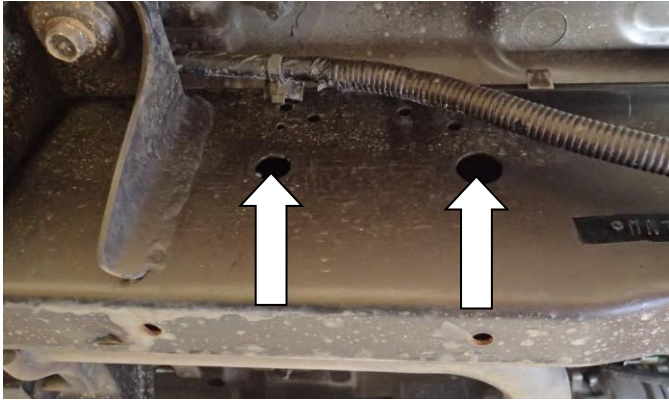
8. Clean and paint with Rust Preventative Paint any exposed/bare metal surfaces left after drilling.

Note: When painting, use tape/paper to mask surrounding areas to avoid getting paint overspray in undesired locations.



9. Locate access hole - indicated. This hole will be used to install the centre mount nut plates. (Steps 7 and 8).

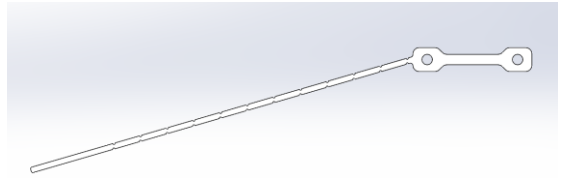
SIDE STEP FITMENT TO VEHICLE – (Continued)



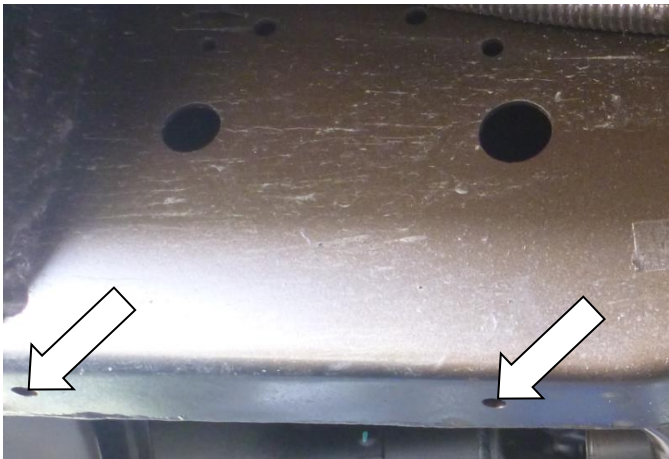
10. Install 1 x M12 Nut Plate (3194734) into the access hole from Step 6.

The Nut Plate will need to align with the upper holes (as indicated at left) when installing the Side Step.

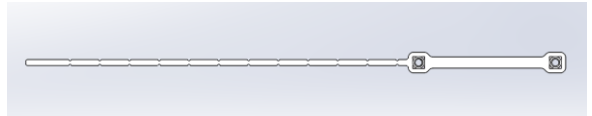
Note: To achieve best access and fitment it will be necessary to bend nut plate tail to suit the vehicle.



3194734 – as bent for RHS Shown above.

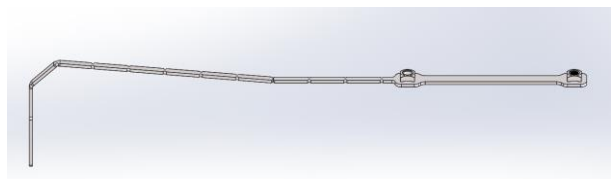


11. Install 1 x M8 Nut Plate (3194733) into the access hole from Step 6.

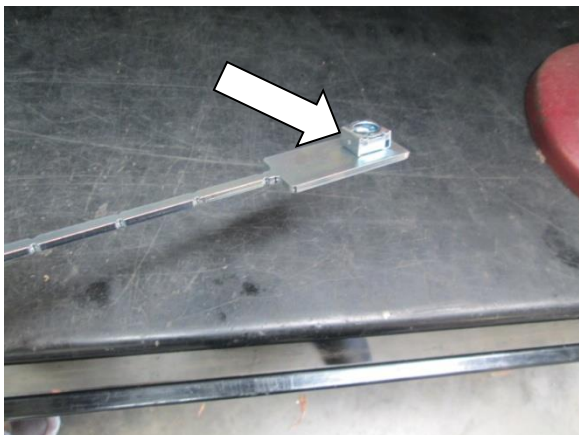


Align the nut plate with the lower holes, (as indicated at left).

Note: To achieve best access and fitment it may be necessary to bend nut plate tail to suit the vehicle.

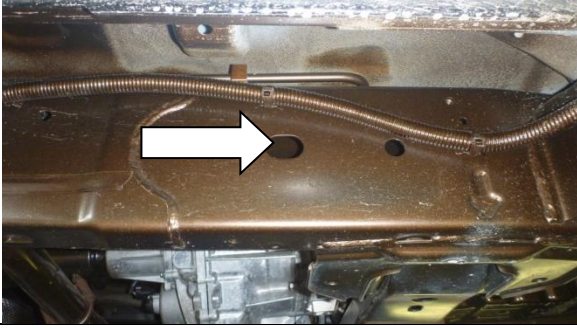


3194733 – as bent for RHS/LHS Shown above.

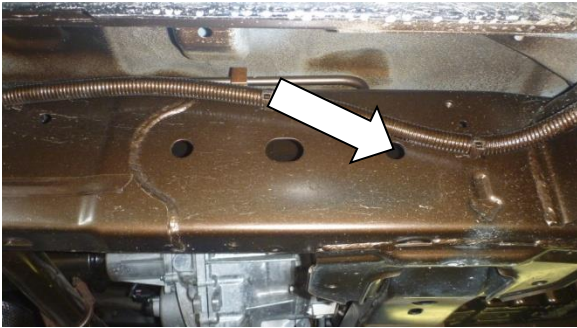


12. Place an M12 caged nut into each of the nut plates.

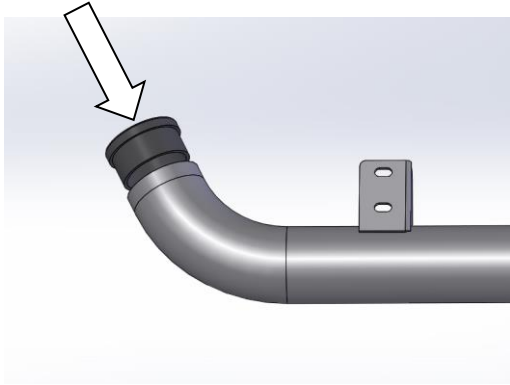
SIDE STEP FITMENT TO VEHICLE – (Continued)



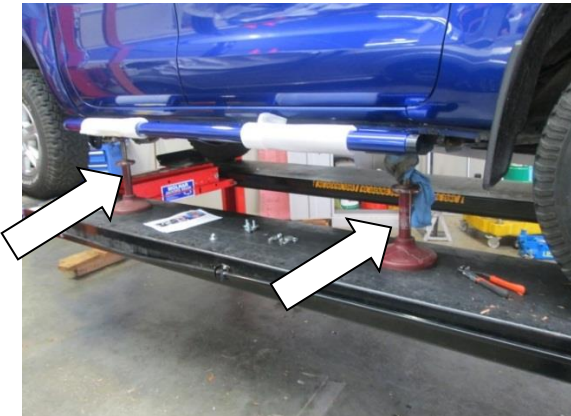
13. Locate access hole - indicated. This hole will be used to install the front mount nut plate - RHS, (Nut Plates – LHS).



14. Install Nut Plate into the access hole from Step 10.
- The Nut Plate will need to align with the hole as indicated when installing the Side Step.
- Note:** To achieve best access and fitment it will be necessary to bend nut plate tail to suit the vehicle.

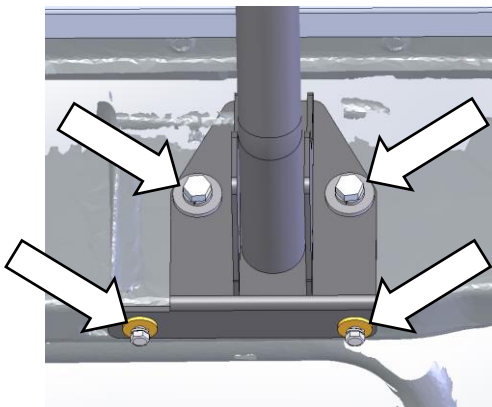


15. Fit the Rubber Plugs into the rear most ends of the Side Steps.



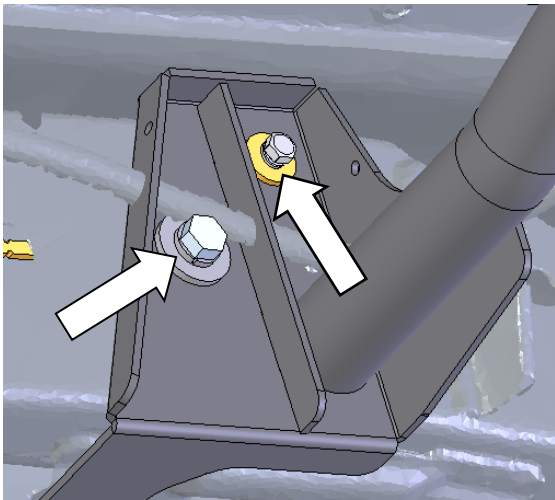
16. Place the RH Side Step against the chassis, (as shown at left). Use adjustable axle stands or a second person to hold the rails in place.

(Generic image shown).



17. Attach the centre of the steps to the chassis using 2 x Bolts M12 x 35, M12 Spring Washers and M12 Flat Washers for the upper mounting and 2 x Bolts M8 x 25, M8 Spring Washers and M8 Flat Washers for the lower mounting. Leave loose at this stage.

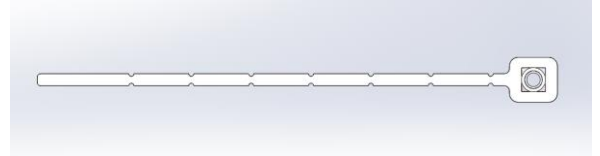
SIDE STEP FITMENT TO VEHICLE - CONTINUED



18. Attach the front of the steps to the chassis using an M12 x 35 Bolt, M12 Spring Washer and M12 Flat Washer into the cage nut plates adjusted in the steps above. Leave loose at this stage.

19. Install the M8 x 25mm Bolt, M8 Spring Washer and M8 Flat Washer into the chassis captive nut (RH) - Leave loose at this stage.

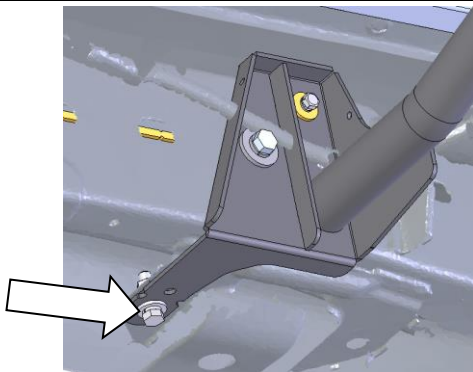
Note: - If LH Side Chassis Rail does not have an M8 Captive Nut installed use Plate Nut Assy Front LH D23 (3194737). Leave loose at this stage.



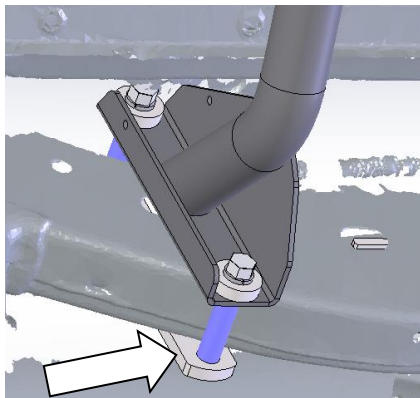
3194737 – (Shown Above).

Manual Transmission Vehicles: Manipulate clutch bleeder fitting and lines to allow fitting to be fastened by its original mounting hole. Install spacer (6250015) between clutch bleeder fitting and step mounting bracket and fasten using M8 x 65mm bolt and M8 Flat Washer. Leave loose at this stage.

Note: - Ensure clutch line and bleeder fitting are manipulated to have adequate clearance to all vehicle components - **Minimum 10mm.**



20. Install M10 x 40 Bolt, M10 Spring Washer, 2 x M10 Flat Washers and M10 Flange Nut through the hole in the front step bracket and the vehicle crossmember. Leave loose at this stage.

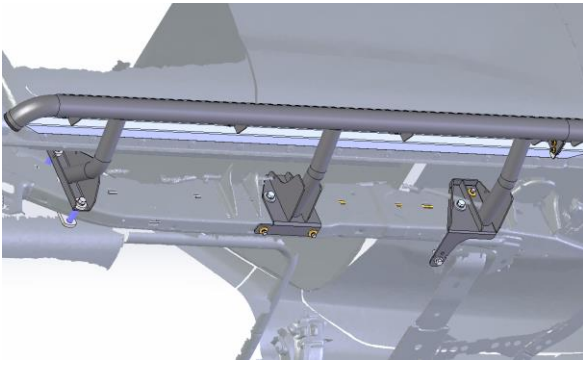


21. Install Plate Clamp D23 Rear Rail – (3194742) behind the chassis rail and fasten rear step mount using 2 x Bolts M12 x 90, M12 Spring Washers, M12 x 35 x 10 Thick Washers and M12 Crush Sleeves. Leave loose at this stage.

Note: Ensure any wires, fuel or brake lines are not damaged or crushed during installation.

-Brake lines on LH side of vehicle may require bending upwards (away from the chassis rail) to ensure adequate clearance to the upper crush sleeve.

SIDE STEP FITMENT TO VEHICLE - CONTINUED



22. Adjust the rail so that it is level with the vehicle and tighten all fasteners to specified torque.

Torque to specification.



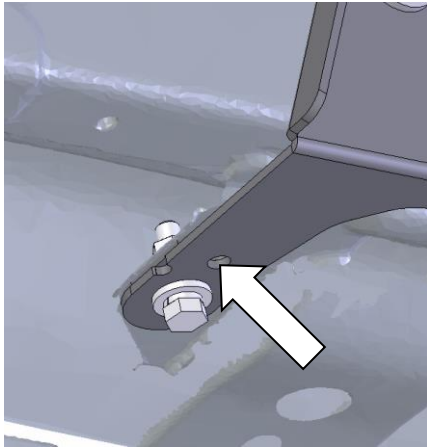
M8 22Nm (BOLTS)



M10 44Nm (BOLTS)



M12 77Nm (BOLTS)



23. Using the indicated hole as a guide, carefully drill a 10mm pinning hole through the vehicle crossmember.

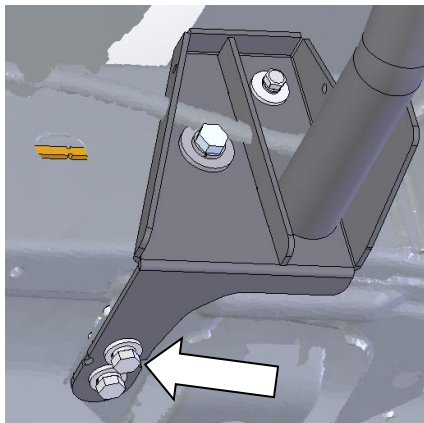
Note: De-burr holes and remove all swarf after drilling.



Warning: Drilling operations can result in flying metal debris, safety glasses should be worn.

24. Clean and paint with Rust Preventative Paint any exposed/bare metal surfaces left after drilling.

Note: Use tape/paper to mask surrounding areas to avoid getting paint overspray in undesired locations.



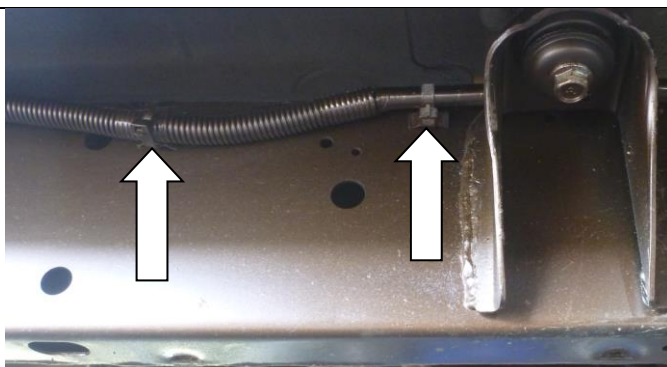
25. Install M10 x 40 Bolt, M10 Spring Washer, 2 x M10 Flat Washers and M10 Flange Nut through the pinning hole in the front step bracket and the vehicle crossmember.

Torque to specification.



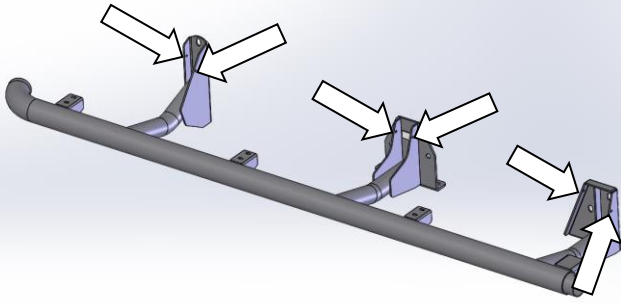
M10 44Nm (BOLTS)

26. Break the exposed Nut Plate Tails off or alternatively using a Screwdriver, Pointy Nose Pliers or similar push the Nut Plate Tails inside the chassis rail to avoid rattling.



27. Re-fasten the wiring harness to the chassis rail using the existing Wiring Harness Clips where possible. (As indicated at Left).
28. Where the Wiring Harness clip mounting holes are now obscured by the step mounting brackets, use Sidecutters to carefully cut the Wiring Harness Clips from the Wiring Loom and discard.

SIDE STEP FITMENT TO VEHICLE - CONTINUED

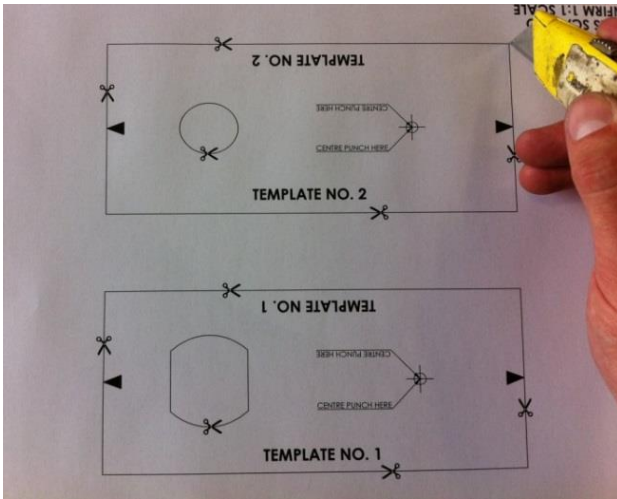


29. Fastening holes are provided in the Front, Centre and Rear mounting brackets, (as indicated at left). Where the Wiring Loom passes around the Step Brackets, use Cable Ties (180302) to securely fasten the Wiring Loom to the step mounting brackets.

Note: Ensure Wiring Loom conduit is in good condition and Cable Ties are fastened securely to ensure no rubbing or fretting can occur.

30. Repeat Steps 3 – 23 on the LH side of vehicle.

FRONT SIDE RAIL FITMENT TO VEHICLE

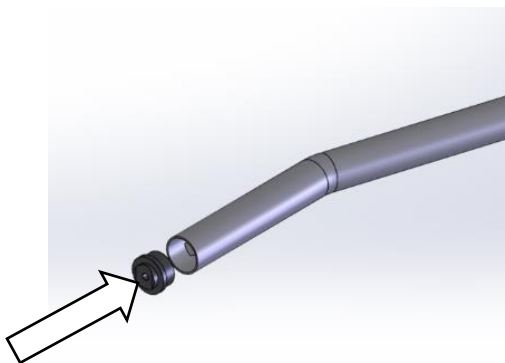


31. From Template sheet 3789336 use Scissors or a Stanley Knife carefully cut out Templates 1 and 2 including the 2 x pieces from the inside – (See image at left).



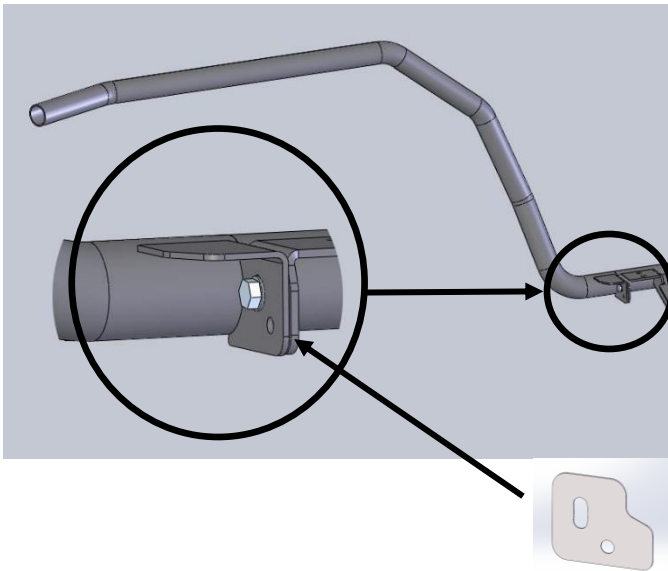
32. Use masking tape to wrap **1 x layer only** of tape around the Bull Bar Outer Frame to protect it from damage. Ensure masking tape is applied flat and without creases.

WARNING: If more than 1 x layer of masking tape is applied and/or creases are present it will affect the use of the drilling templates and could result in the Bull Bar being incorrectly drilled and not serviceable.



33. Install Tube Spigot into the front of the Side Rail – Install without spacers fitted.

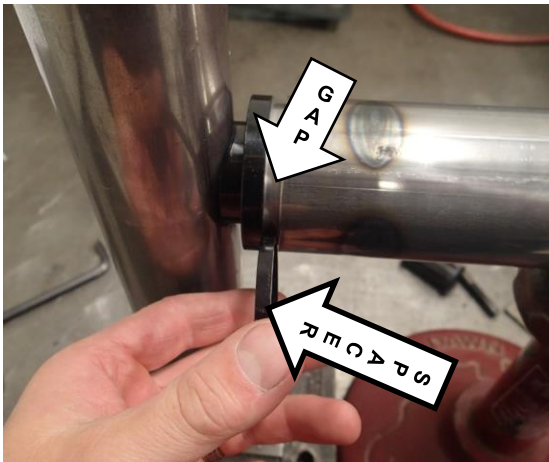
FRONT SIDE RAIL FITMENT TO VEHICLE - CONTINUED



34. Place the Front Side Rail assembly onto the end of the Side Step Rear section as shown.
- When the Step and Side Rail tubes butt together, assess if any gap exists between the bracket faces. Should a gap exist, up to 3 x 1mm Spacers (6250024) may be installed between Side Step and Side Rail brackets to obtain correct fitment.
35. Attach using an M8X20 Bolt, 2 x M8 Flat Washers and an M8 Nyloc Nut.
- Note: Do not fully tighten at this stage.**



36. Hold Side Rail so that when viewed from the side of the vehicle the top tube runs parallel to the installed Side Steps and the Side Rail sits as desired against the side of the vehicle.
37. Offer Side Rail/Tube Spigot up to the back of the Bull Bar outer frame. – If a gap exists slide Tube Spigot forwards until it contacts the Bull Bar outer frame.



38. Assess the gap between the front end of the Side Rail and the Tube Spigot. Select the closest matching Spacer/Spacers to fill the gap. (Spacer options: Nil / 5mm / 10mm or 15mm (5mm + 10mm Spacers)).
- **Note: If the gap is too large for the Spacers to fill or too small (ie. the tube spigot cannot be fitted) adjustment of the Bull Bar and/or Side Step may be required.**

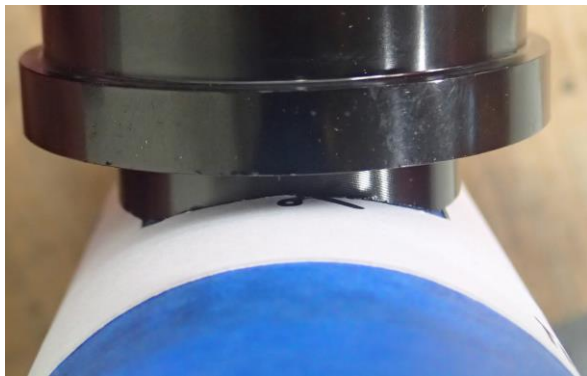


39. Swing the Side Rail outwards and away from the vehicle allowing installation of appropriate/selected spacer into gap between the front end of the Side Rail and the Tube Spigot. (5mm in this instance).

FRONT SIDE RAIL FITMENT TO VEHICLE - CONTINUED

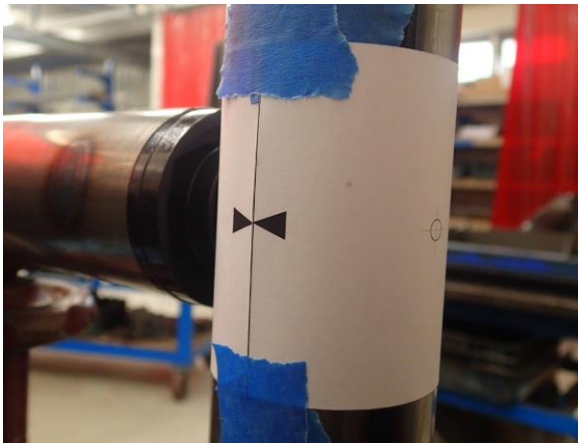


40. Swing the Side Rail inwards and install "TEMPLATE 1" between the end of the Tube Spigot and the Bull Bar outer frame



41. Carefully align and centre "TEMPLATE 1" with the end of the Tube Spigot and wrap around the Outer Frame Tube.

- **Note: Ensure the indicator arrows are aligned before taping into position with Masking Tape – (AS SHOWN).**

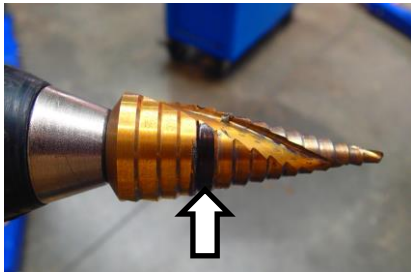
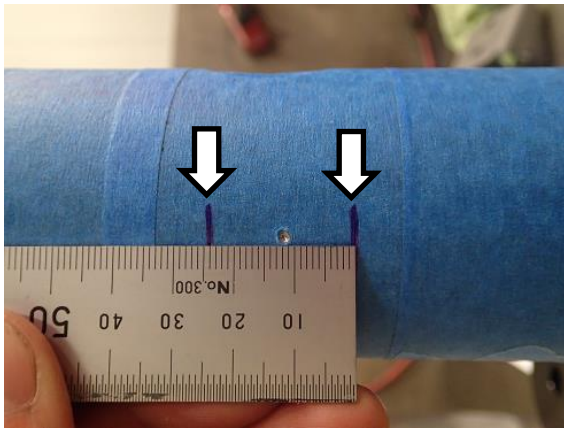


42. Using a Centre Punch, carefully Centre Punch the outer frame at the centre mark of "TEMPLATE 1".
43. Remove Side Rail and set aside.
44. Remove "TEMPLATE 1".

- Note: Do not discard.** Template will be re-used for the opposite side clamp installation.

IMPORTANT: COVER THE UPPER SURFACES OF THE BULLBAR WING WITH MASKING TAPE OR RAGS TO PREVENT DAMAGE FROM DRILL SWarf.

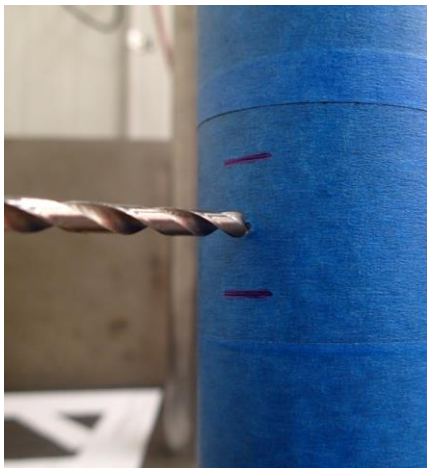
FRONT SIDE RAIL FITMENT TO VEHICLE - CONTINUED



45. Using a marker pen, mark the outer frame 12mm above and below the Centre Punch mark (12mm + 12mm = 24mm).
- **Note: These marks on the outer frame give an indication of how far to drill with the Stepped Drill.**

46. Using a marker pen, mark the Ø24mm step on the Stepped Drill.

-Note: These marks on the Stepped Drill give an indication of how far to drill to achieve the correct diameter hole in the outer frame.



47. At the location of the Centre Punch mark, use an Ø4mm (or similarly sized) Drill Bit to drill a pilot hole through the front face of the Bull Bar outer frame.



Warning: Drilling operations can result in flying metal debris, safety glasses should be worn.



48. Use a Stepped Drill Bit to drill the Ø4mm pilot hole out to Ø24mm.

WARNING - Do not drill past the 24mm marks on the outer frame or the Ø24mm mark on the Stepped Drill - Drilling too far will destroy the Bull Bar.



Warning: Drilling operations can result in flying metal debris, safety glasses should be worn.

FRONT SIDE RAIL FITMENT TO VEHICLE - CONTINUED



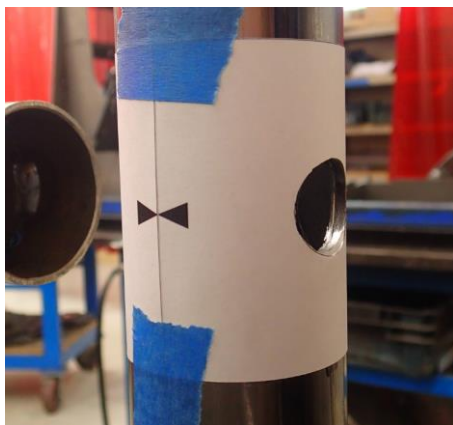
49. Using a small Round or Half-Round File carefully remove any burrs from the edge of the Ø24mm hole.

-Note: Care should be taken to avoid damaging the outer frame paintwork surrounding the Ø24mm hole.



50. Carefully align "TEMPLATE 2" and centre over the Ø24mm hole. Wrap around the Outer Frame Tube.

- **Note: Ensure the indicator arrows are aligned before taping into position with Masking Tape – (AS SHOWN).**



51. Using a Centre Punch, carefully Centre Punch the outer frame at the centre mark of "TEMPLATE 2".

52. Remove "TEMPLATE 2".

Note: Do not discard. Template will be re-used for the opposite side clamp installation.

FRONT SIDE RAIL FITMENT TO VEHICLE - CONTINUED



53. At the location of the Centre Punch mark, use an Ø4mm (or similarly sized) Drill Bit to drill a pilot hole through the front face of the Bull Bar outer frame.
54. Use an Ø12mm Drill Bit to drill the Ø4mm pilot hole out to Ø12mm.

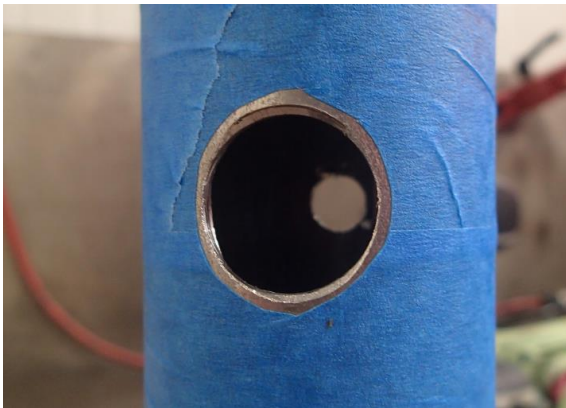


Warning: Drilling operations can result in flying metal debris, safety glasses should be worn.



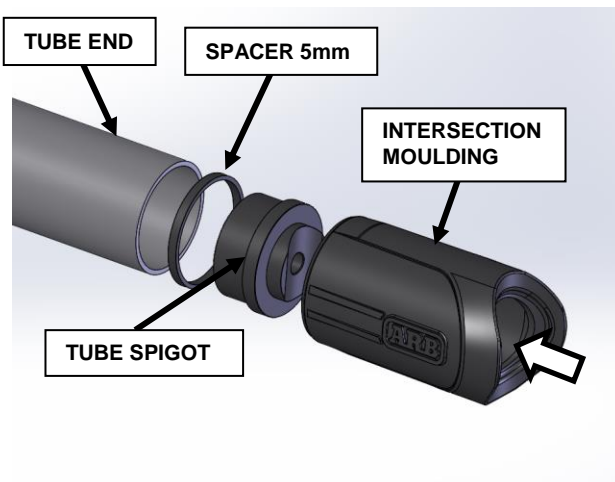
55. Using a small Flat or Half-Round File carefully remove any burrs from the edge of the Ø12mm hole.

- **Note: Care should be taken to avoid damaging the outer frame paintwork surrounding the Ø12mm hole.**



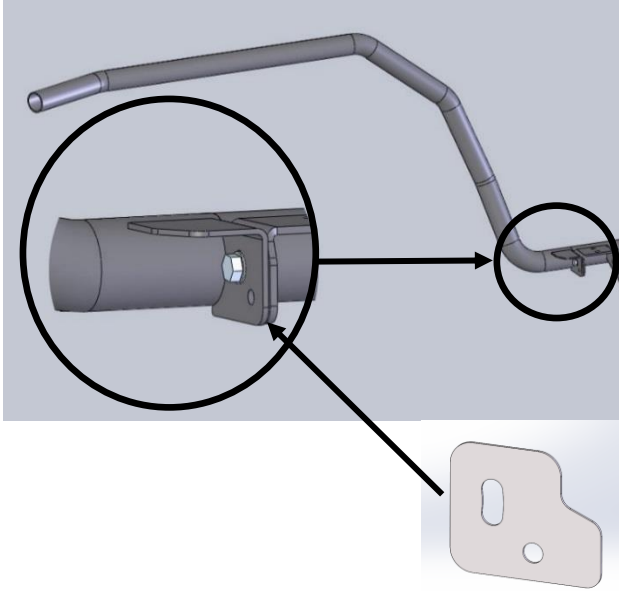
56. Remove all drill/file swarf and then clean and paint with Rust Preventative Paint any exposed/bare metal surfaces left after drilling.

- **Note: Use tape/paper to mask surrounding areas to avoid getting paint overspray in undesired locations.**



57. Install Tube Spigot, selected Spacer/Spacers and Intersection Moulding into place on the Side Rail.

FRONT SIDE RAIL FITMENT TO VEHICLE - CONTINUED



58. Install Side Rail (with clamp components fitted) onto Side Step spigot and attach using an M8X20 Bolt, 2 x M8 Flat Washers and an M8 Nyloc Nut.

Note: Install spacers as per Step 30.

Note: Do not fully tighten at this stage.



59. Install Submerged Bush and M10 Bolt.

Torque to Specification.

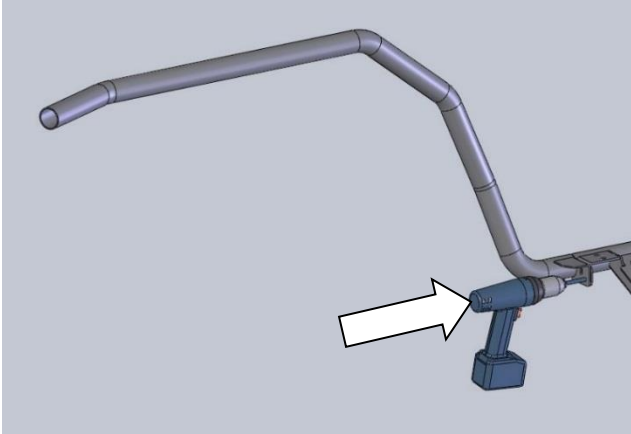


M10 57Nm **(CRITICAL)**.



60. Tighten M8 Bolt ensuring the slot and holes in the 6250024- 1mm Spacers (if fitted) are aligned with the holes in the Step / Side Rail Brackets.

FRONT SIDE RAIL FITMENT TO VEHICLE - CONTINUED



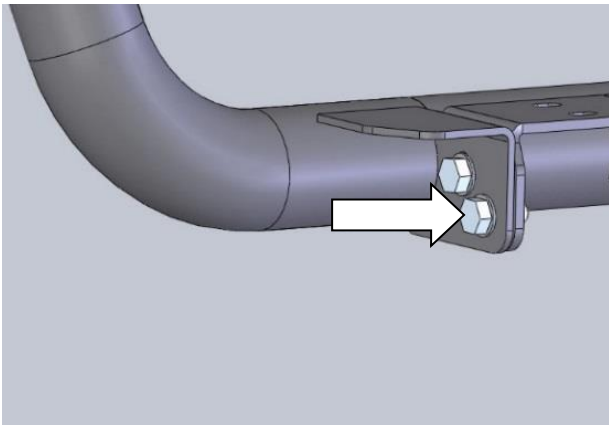
61. Using an electric drill with an Ø8mm drill bit and the pre-cut hole in the front side rail as a guide, drill through the rear section.

NOTE: IT MAY BE NECESSARY TO TEMPORARILY REMOVE THE MUD FLAPS TO GAIN ACCESS WITH THE DRILL.

62. Apply paint or a rust preventative to the bare metal.



Warning: Drilling operations can result in flying metal debris, safety glasses should be worn.

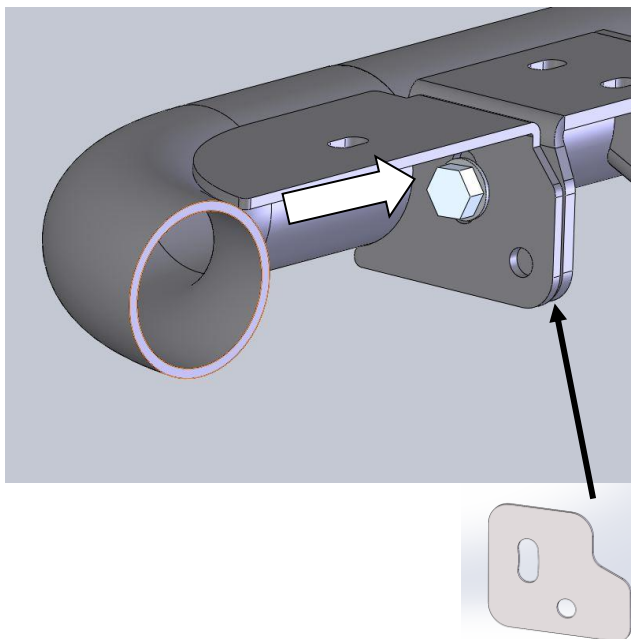


63. Pin the front side rail to the rear section using an M8X20 Bolt, 2 x M8 Flat Washers and an M8 Nyloc Nut.

Torque to Specification.



SIDE STEP RETURN FITMENT TO VEHICLE.



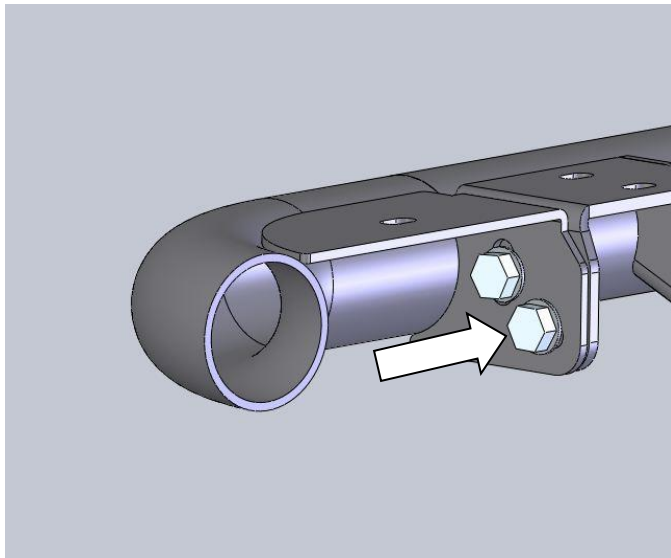
FITTING CURVED END SECTIONS

64. Place the Front Return Rail assembly onto the end of the Side Step Rear section as shown.

When the Step and Return Rail tubes butt together, assess if any gap exists between the bracket faces. Should a gap exist, up to 3 x 1mm Spacers (6250024) may be installed between Side Step and Side Rail brackets to obtain correct fitment.

65. Attach using an M8X20 Bolt, 2 x M8 Flat Washers and an M8 Nyloc Nut. Ensure the top faces of the Return Rail and the Side Step are parallel. Tighten the M8 Bolt ensuring the slot and holes in the 6250024- 1mm Spacers (if fitted) are aligned with the holes in the Step / Side Rail Brackets.

FRONT SIDE RAIL & SIDE STEP RETURN FITMENT TO VEHICLE



66. Using an electric drill with an Ø8mm drill bit and the pre-cut hole in the curved end section as a guide, drill through the rear section.

NOTE: IT MAY BE NECESSARY TO TEMPORARILY REMOVE THE MUD FLAPS TO GAIN ACCESS WITH THE DRILL.



Warning: Drilling operations can result in flying metal debris, safety glasses should be worn.

67. Apply paint or a rust preventative to the bare metal.
68. Pin the curved end section to the rear section using an M8X20 Bolt, 2 x M8 Flat Washers and an M8 Nyloc Nut.

Torque to Specification.

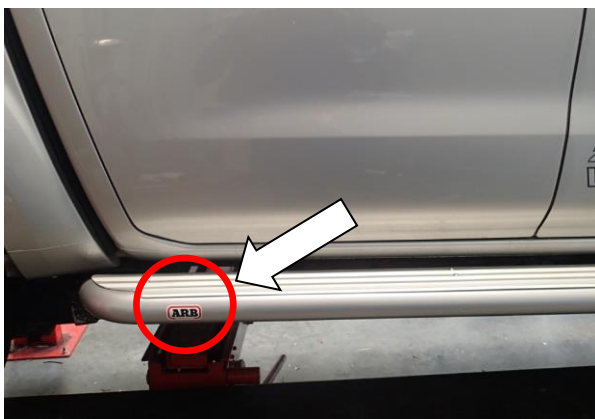
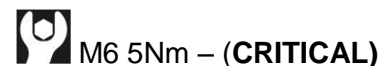


THE FOLLOWING STEPS APPLY TO BOTH SIDE RAIL AND FRONT SECTION FITMENT

69. Run a bead of silicon along the top of the rail where the Tread Plate will sit. (This will help prevent vibration).
70. Position the Tread Plate on the step, aligning the bolt holes with the corresponding holes in the side step. Starting at the front of the step, secure the checker top with S/Steel M6X16 Button Head Bolts, M6 Flat Washers and M6 Flange Nuts.

Note: Over tightening of bolts may result in damage to the Tread Plates.

Torque to Specification.



71. Apply the supplied ARB decals at the rear of the Side Step on both the RH and LH sides of the vehicle as indicated.

FITTED PRODUCT



**Side Steps with Front Rail Fitted – (Shown Above).
Side Steps with Return Fitted – (Shown Below).**

